

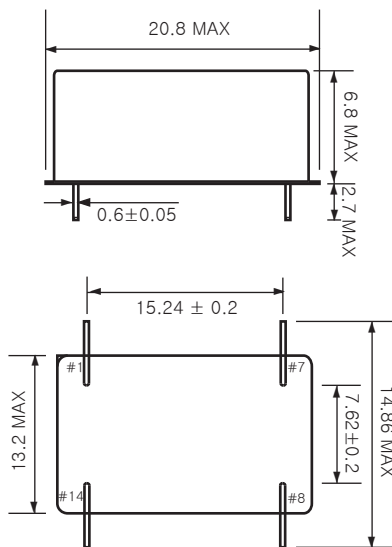
GULL WING TYPE VCXO

SINEWAVE OUTPUT

Electrical Specification

Model	GVN5.0	GVN3.3
Supply Voltage (Vcc)	5Vdc \pm 5%(Std.)	3.3Vdc \pm 5%(Std.)
Frequency Range	8 to 200MHz	
Frequency Stability	See table 1 (VCXO part number guide)	
Operating Temperature	See table 2 (VCXO part number guide)	
Storage Temperature	-55 to 125 °C	
Supply Current	20mA Max @ 20MHz	
Output Level	1.0 Vpp Min	
Harmonics Level	< -30dBc	
Sputious Level	< -60dBc	
Load	50 Ω	
Pull Range	See table 3 (VCXO part number guide)	
Control Voltage	2.5Vdc \pm 2.0V (Std.)	1.65Vdc \pm 1.35V (Std.)
Aging	\pm 3.0ppm Max/Year(Std.)	

Dimensions



Pin Connection	
#1	Vc
#7	Ground
#8	Output
#14	Vcc